

Pioneering for You

wilo

Wilo Philippines-60hz

Wilo – Jet Series

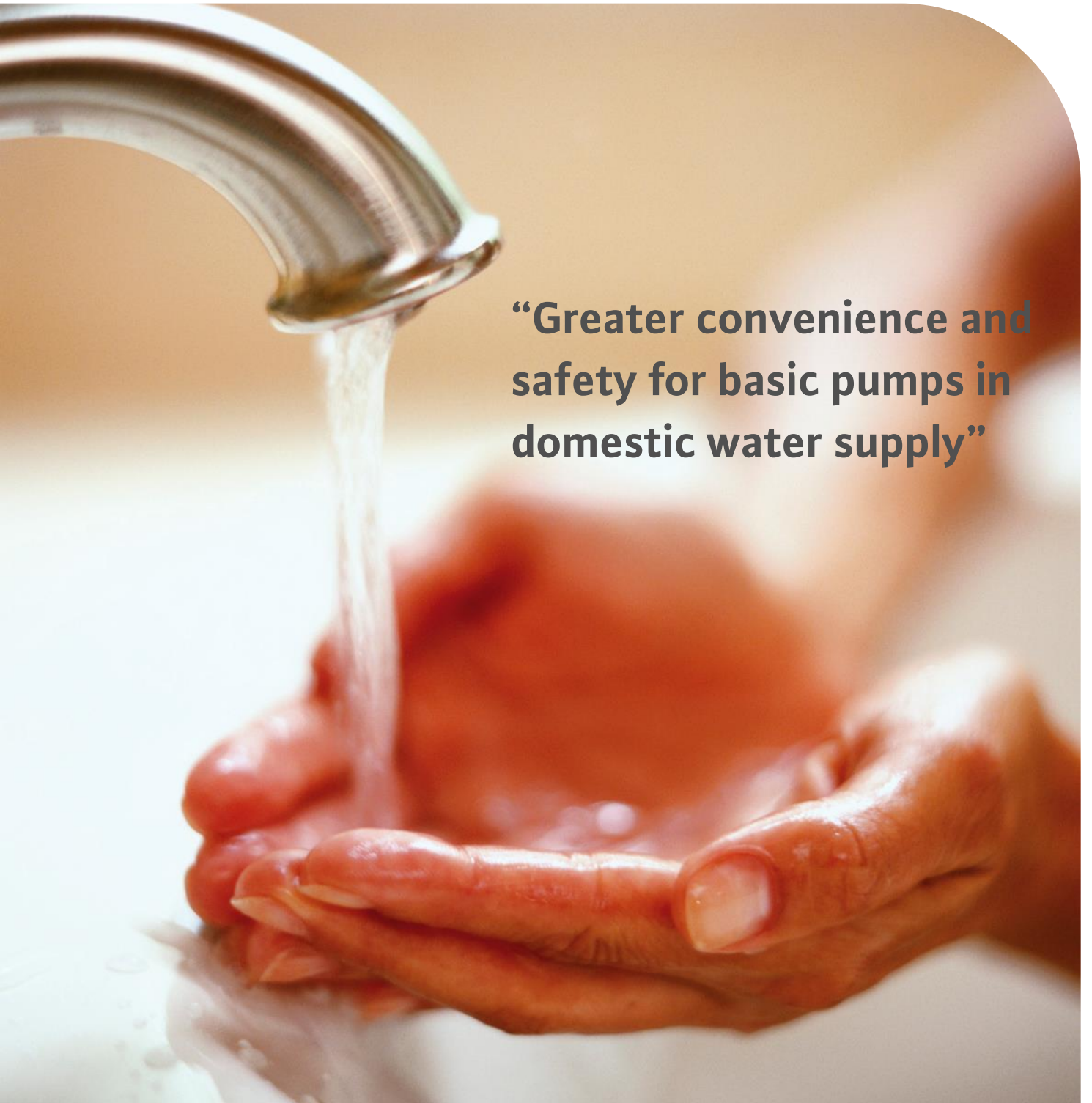
Shallow and deep well pumps

The basic pump for a more secure domestic water supply

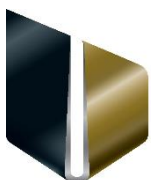


Pioneering for You

wilo



“Greater convenience and safety for basic pumps in domestic water supply”



**german
brand
award
16
gold**



Member of

**German Water
Partnership**



Wilo – Initial Jet Series

Shallow Well Pumps

Special features/product advantages

- Self – priming pump
- Draw water up to 8 meter depth
- Easy installation and maintenance

Applications

- Water supply for household
- Small farming and gardening
- Water lifting and distribution in domestic fittings by small and medium sized tanks

Motor

- Two-pole induction motor
- Insulation class F
- Protection IP44

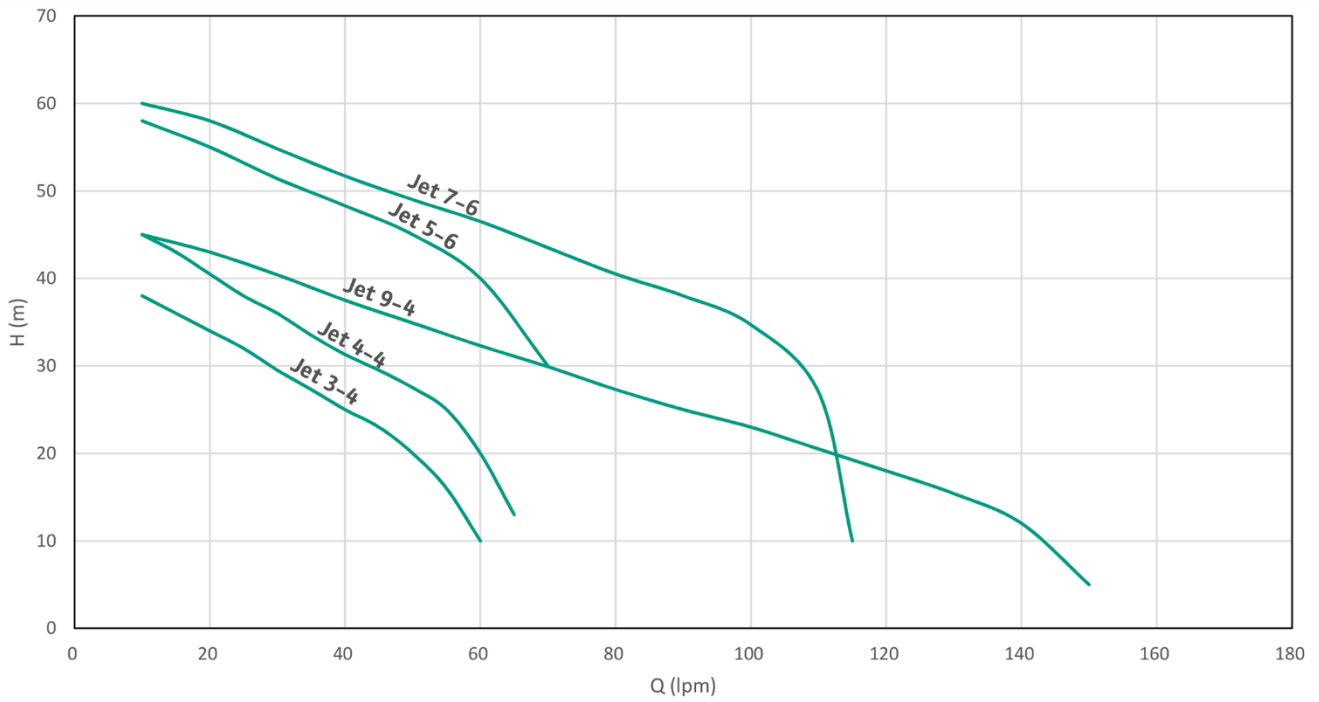
Materials

- Pump body: Cast iron
- Motor support: Aluminium
- Impeller : Noryl (WJ-75S)
Stainless steel (WJ 100S/WJ150S)
- Diffuser: Noryl
- Pump flange : Stainless steel AISI 304
- Shaft with rotor: Stainless steel AISI 304
- Mechanical seal: Ceramic/graphite/NBR

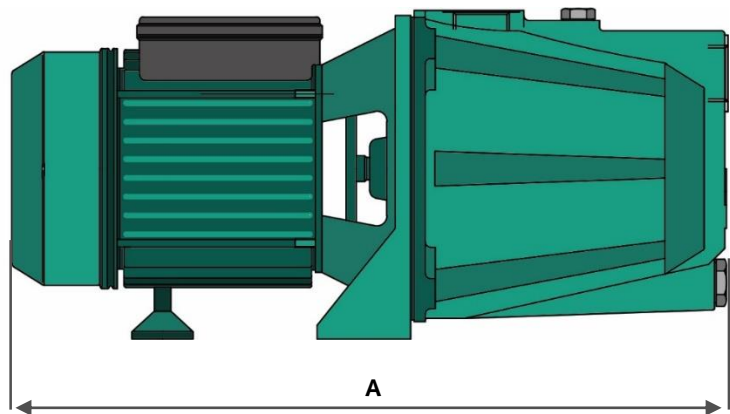
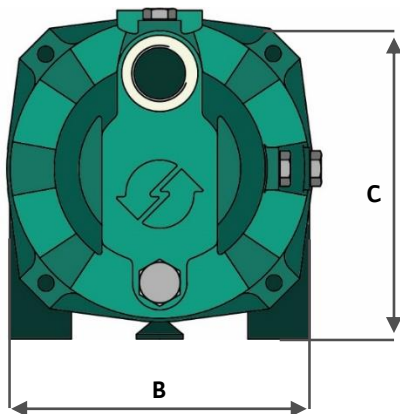
Operating Conditions

- Liquid temperature up to 35°C
- Ambient temperature up to 40°C
- Total suction lift up to 8 meters
- Continuous duty

Technical Data



Model	Rated Power		Power Source			Max. Head (m)	Max. Flow (lpm)	Dimension (mm)			Weight Kg
	HP	kW	Ph	V	Hz			A	B	C	
Initial Jet 3-4	0.8	0.6	1	220	60	38	60	328	162	193	9
Initial Jet 4-4	1	0.75	1	220	60	45	60	421	176	194	15
Initial Jet 9-4	1.5	1.1	1	220	60	45	150	570	236	274	38
Initial Jet 5-6	1.5	1.1	1	220	60	58	70	605	220		28
Initial Jet 7-6	2	1.5	1	220	60	60	100				29





Wilo – Initial Jet Series

Deep Well Pumps

Special features/product advantages

- Self – priming pump
- Draw water a jet as deep as 35 meters from ground surface
- Easy installation and maintenance

Applications

- Water supply for household
- Small farming and gardening
- Water lifting and distribution in domestic fittings by small and medium sized tanks

Motor

- Two-pole induction motor
- Insulation class F
- Protection IP44

Materials

- Pump body : Cast iron
- Motor support : Cast iron
- Impeller : Noryl
- Diffuser : Noryl
- Ejector : Cast iron
- Shaft with rotor : Stainless steel AISI 304
- Mechanical seal : Ceramic/graphite

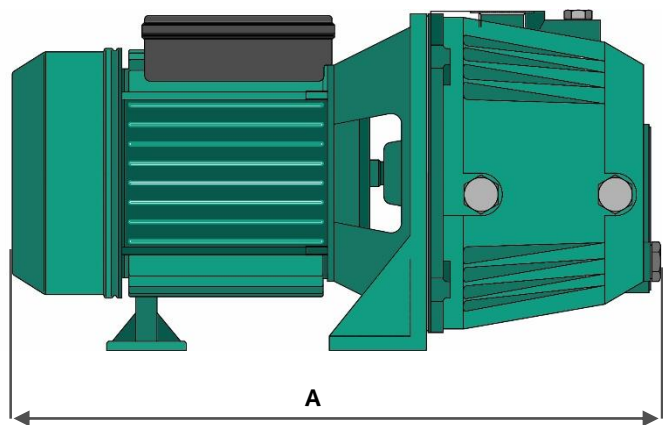
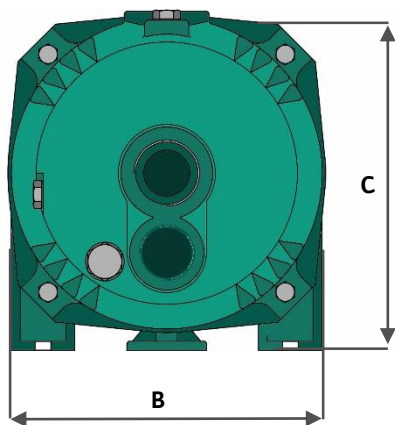
Operating Conditions

- Liquid temperature up to 35°C
- Ambient temperature up to 40°C
- Total suction lift up to 50 meters
- Continuous duty

Technical Data

Model	Rated Power		Ampere			Capacity											
	HP	kW	Main Connections	Ejector	Suction Depth	m ³ /h	0.18	0.36	0.6	0.9	1.2	1.5	1.8	2.1	3	3.6	
						lpm	3	6	10	15	20	25	30	35	50	60	
Total head in meters																	
Initial DWP 1.0	1	0.75	1Ph/220V	P20	15	38	36	32	29	27	24	20	15				
					20	36	32	28	24	20	16						
					25	29	25	19	13	10							
					P30	30	12	8									
						35	11	4									
Initial DWP 1.5	1.5	1.1	1Ph/220V	P20	15							42	35	25	21		
					20						50	37	30	21			
					25						45	34	27				
				P30	35				49	41	20						
					40			48	40								
					50		49	43	20								
Initial DWP 2.0	2	1.5	1Ph/220V	P20	15								46	35	30		
					20							48	43	32	27		
					25						50	44	40	28	23		
				P30	35						28	20					
					40				46	30							
50			49	40													

Model	Rated Power		Power Source			Dimension (mm)			Weight
	HP	kW	Ph	V	Hz	A	B	C	Kg
Initial DWP 1.0	1	0.75	1	220	60	360	180	195	18
Initial DWP 1.5	1.5	1.1	1	220	60	415	220	240	27.2
Initial DWP 2.0	2	1.5	1	220	60	415	220	240	27.2



Wilo – Initial Peripheral



Special features/product advantages

- Easy handling due to its light weight, perfect for continuous operation
- Brass impeller for fluids up to 60 °C and ambient temperature up to 40 °C
- Efficiently thanks to low power consumption with high maximum delivery head and high maximum volume flow
- Up to 8 meter negative suction head

Application

- Water distribution/boosting
- Raw water intake
- Sprinkling and spraying
- Rainwater utilization

Materials

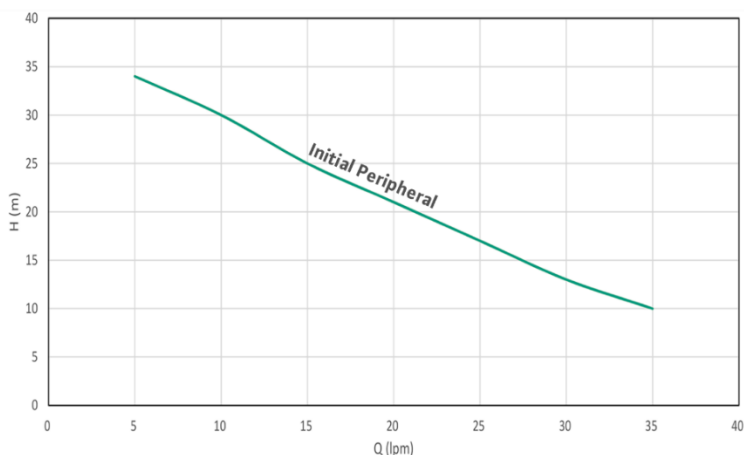
- Pump body : Cast iron
- Motor support : Cast iron
- Impeller : Noryl
- Diffuser : Noryl
- Ejector : Cast iron
- Shaft with rotor : Stainless steel AISI 304
- Mechanical seal : Ceramic/graphite

Motor

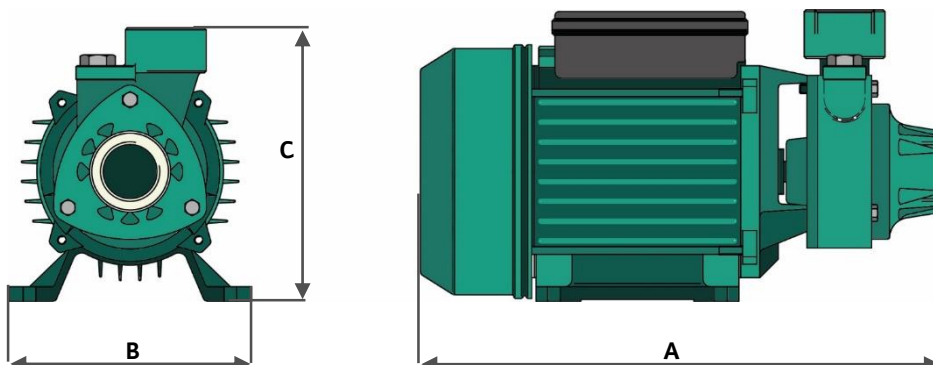
- Two-pole induction motor
- Insulation class F
- Protection IP44

Operating Conditions

- Liquid temperature up to 60°C
- Ambient temperature up to 40°C
- Continuous duty



Model	Rated Power		Power Source			Max. Head (m)	Max. Flow (lpm)	Dimension (mm)			Weight (Kg)
	HP	kW	Ph	V	Hz			A	B	C	
Initial Peripheral	0.5	0.37	1	220	60	34	2.1	255	120	144	6.5





GOING #BEYOND PUMPS

Pioneering for You

wilo



Pioneering for You

WILO SE
Nortkirchenstraße 100
44263 Dortmund
T +49 231 4102-7516
F +49 231 4102-7666
wilo@wilo.com
www.wilo.com

Wilo SE
Representative Office (Philippines)
8F Unit 810 The Infinity
26th Street Bonifacio Global City
Taguig, 1634 Philippines
T +63 2 553 4016
F +63 2 553 0544
sales@wilo-philippines.com
www.wilo.com